

logitech®

DESIGNED FOR BIG ROOMS AND EVEN BIGGER IDEAS.



Logitech GROUP

GROUP, the amazingly affordable video conferencing system for mid to large-size conference rooms, allows any meeting place to be a video collaboration space. It's as simple to use as a mobile phone and affordable as an office chair, now it's easier than ever to include anyone in the conversation.

USB plug-and-play connectivity makes GROUP a breeze to deploy and use. It even works within your own familiar computing environment with any video conferencing software application — including the ones you already use.

Razor sharp video and a beautifully designed full-duplex speakerphone deliver an outstanding collaboration experience that's so awesome everyone can be seen and heard. Simply connect a laptop and start a meeting, or use the state-of-the-art speakerphone with a Bluetooth® wireless technology enabled mobile device for great-sounding audio calls.



BlueJeans

lifesize

zoom

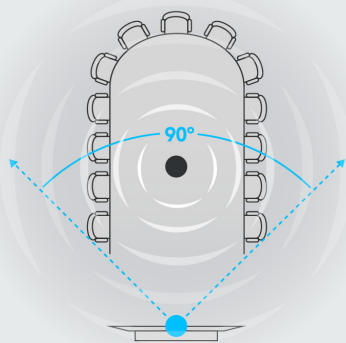


broadsoft

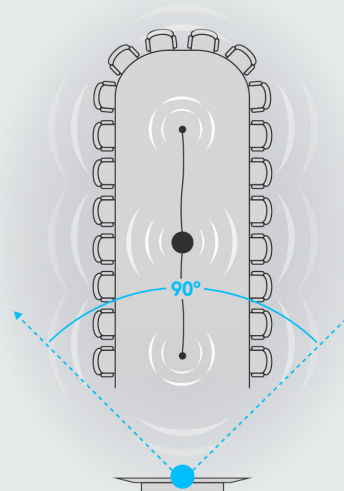


Logitech GROUP

GROUP Room Set-up



GROUP + Expansion Mics Room Set-up



Video Conferencing Elevated.

GROUP, our video conferencing solution for groups of 14–20 people, delivers high quality HD video and crystal clear audio, allowing any meeting place to be a video collaboration space. With advanced features like acoustic echo cancellation, noise reduction technology, and intuitive controls, now it's easier than ever to include anyone in the conversation.

Video Collaboration Made Simple.

USB plug-and-play connectivity makes GROUP easy to use. Simply connect a laptop to conduct life-like meetings within your own familiar computing environment for use with any video conferencing software application — including the ones you already use. Plus, you can use the state-of-the-art speakerphone with a Bluetooth wireless technology enabled mobile device for great-sounding audio calls.

Your Meeting Space. Your Way.

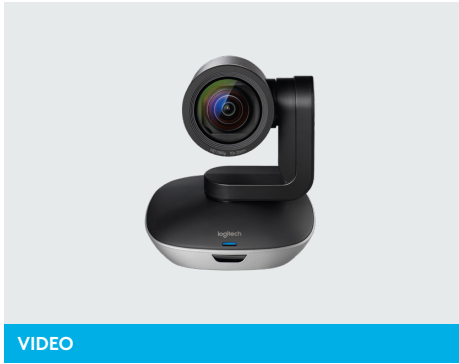
GROUP offers the flexibility to customize conference room set-up with multiple camera mounting options. Use the camera on the table or mount it on the wall with included hardware. The bottom of the camera is designed with a standard tripod thread for added versatility. Conference participants can also clearly converse within a 6 m/20' diameter around the base, or extend the range to 8.5 m/28' with optional expansion mics.



For razor sharp close-ups of objects and whiteboard content, the GROUP camera offers 10x lossless zoom, enabling your team to see every detail with outstanding resolution and clarity.



Logitech GROUP



HD 1080p video quality at 30 frames-per-second
Brings life-like full HD video to conference calls, enabling expressions, non-verbal cues and movements to be seen clearly.

H.264 with Scalable Video Coding (SVC) and UVC 1.5

Preserves PC processing and battery power by putting video processing within the camera adjusting dynamically to the available bitstream. The result is a smoother video stream in applications like Skype® for Business and in Windows® 8 and Windows 10.

90° field of view with mechanical 260° pan and 130° tilt

The generously wide field of view and silky smooth pan and tilt controls enhance collaboration by making it easy to see everyone in the room.

10x lossless HD zoom

Zero in on close-ups of objects and whiteboard content with outstanding detail and clarity.

Autofocus

High-precision lens automatically focuses on people and objects to deliver razor-sharp resolution wherever the lens is pointed.

Razor-sharp optics

Enhance face-to-face collaboration. Advanced Logitech lens technology delivers remarkable video quality with superb resolution, speed, fluidity, color balance, and detail.

Far-end camera control

Operate camera pan, tilt and zoom functions¹ of another Logitech® ConferenceCam or Webcam C930e in the other location.

5 camera presets

Multiple camera presets make it easy to frame and focus the lens on frequently used views — such as the conference table, whiteboard, and close-ups — and quickly return to each view at the touch of a button.

Plug-and-play camera setup

Simply connect camera to powered hub with 4.9 m/16' cable provided to get up and running in a snap.



Full-duplex speakerphone
Hear and be heard with life-like sound that's crisp, clear, and highly intelligible. Plus the cast metal base console is loaded with advanced audio features and intuitive controls.

Spacious audio

Conference participants can converse within a 6 m/20' diameter around the speakerphone and be heard so clearly by remote participants that it seems like conversations are happening in the same room.

Optional expansion mics

Expand the conversation area from 6 m/20' to 8.5 m/28' so that even those away from the speakerphone can be clearly heard. Microphones, sold in pairs, are automatically recognized and configured by simply plugging them into the GROUP speakerphone.

Beamforming technology with four omni-directional mics

Conversations sound realistic and natural by minimizing sound reflections (reverb) and distracting audio artifacts.

Acoustic echo cancelation

Advanced acoustic engineering reduces echo, making calls sound more natural.

Noise reduction technology

Ambient noises and other distracting tones are suppressed to support comfortable, natural-sounding conversation on both ends of the call.

HD audio

High bandwidth audio reproduces vocal tones with exceptional quality, enabling people on both sides of the call to enjoy a life-like communication experience.

Visual call status indicator

Onboard LEDs flash to provide visual alerts when on a call, when there's an incoming call and when an incoming call is muted.

LCD displays Caller ID and other info

View call-related info² (Caller ID, call duration, etc.) and speakerphone/camera function indicators (volume control, etc.) on LCD display screen.

Plug-and-play speakerphone setup

Simply plug the speakerphone into the powered hub with the supplied 4.9 m/16' cable to get up and running in no time.



Tight integration with top cloud communication apps
Logitech partners with the top communication developers³ to ensure the most integrated and seamless experience when using GROUP.

Compatible with Mac® and PC

Simply connect a PC or Mac® to conduct meetings within the user's own familiar computing environment.

Works with most UC and video conferencing applications

Users are free to use the desktop video conferencing application of their choice.

Bluetooth wireless technology and Near Field Communication (NFC) technology³

Connect the speakerphone to a Bluetooth wireless technology enabled device for great-sounding audio calls, or pair NFC-enabled mobile devices by simply bringing them close together.

Professional-grade certifications

Leading business certifications (Certified for Skype for Business, Cisco Jabber® and WebEx® compatible⁴) and enhanced integration with Logitech Collaboration Program (LCP) members⁵ ensure an integrated experience with most business-grade video conferencing platforms.

Optional GROUP Extended Cables

The optional GROUP 10m Extended Cable can be routed through a conduit to double the distance from 5 to 10 meters (32.8') between the Logitech GROUP hub and the camera or speakerphone. For longer runs involving plenum-spaces, use the GROUP 15m Extended Cable to triple the distance from 5 to 15 meters (49.2')⁶.

Multiple camera mounting options and device setup configurations

Set up the conference room the way you want with up to a 9.8 m/32' range between camera and speaker. Use the camera on the table or mount it on the wall with included hardware. The bottom of the camera is designed with a standard tripod thread for added versatility.

Dockable remote control

Operate camera pan, tilt and zoom, volume up/down and answer/hang-up⁷ functions on the base speakerphone console or with remote control that docks in console when not in use.

PTZ app

Control local camera pan, tilt and zoom functions from PC or Mac with simple-to-use software app.

Logitech GROUP

TECH SPECS

CAMERA

Smooth motorized pan, tilt and zoom, controlled from remote or console

260° pan, 130° tilt

10x lossless HD zoom

90° Field of View

Full HD 1080p 30fps

H.264 UVC 1.5 with Scalable Video Coding (SVC)

Autofocus

5 camera presets

Far-end control (PTZ) of ConferenceCam products

Kensington security slot

LED to confirm video streaming

Standard tripod thread

REMOTE CONTROL

Dockable

8.5 m/28-foot range

PRODUCT SPECIFICATIONS

Logitech GROUP

Price: \$999

Part #: 960-001054

UPC: 097855118462

Expansion Mics

Price: \$299

Part #: 989-000171

UPC: 097855119551

Logitech GROUP + Expansion Mics

Price: \$1,249

Part #: 960-001060

UPC: 097855120038

GROUP 10m Extended Cable

Price: \$99

Part #: 939-001487

UPC: 097855129765

GROUP 15m Extended Cable

Price: \$199

Part #: 939-001490

UPC: 097855131942

SYSTEM REQUIREMENTS

Windows 7, Windows 8.1, or Windows 10

Mac OS 10.10 or higher

Google Chromebook Version 29 or higher

Note: For full HD support, please check with your software application provider for system requirements.

SPEAKERPHONE

Full-duplex performance

Acoustic echo cancellation

Noise reduction technology

Ultra-wideband audio

Bluetooth and NFC wireless technology

LCD for caller ID, call duration and other functional response

LEDs for speakerphone streaming, mute, hold, and Bluetooth wireless pairing

Touch controls for call answer/end, volume and mute, Bluetooth – plus camera PTZ, “home” preset and far-end control

Microphones (Tx)

Four omni-directional microphones supporting 20-foot diameter range

Frequency response: 100Hz – 11KHz

Sensitivity: -28dB +/--3dB

Distortion: <1% @ 1KHz at 106dB

Speakers (Rx)

Frequency response: 120Hz – 14KHz

Sensitivity: 83dB SPL +/--3dB at 1W/1M

Max output: 91dB SPL

Distortion: <5% from 200Hz

Kensington security slot

PRODUCT DIMENSIONS + WEIGHT

Camera

146 x 131 x 130 mm

5.8 x 5.2 x 5.1”

580 g/20.46 oz

Speakerphone

240 x 65 x 240 mm

9.5 x 2.5 x 9.5”

1223 g/43 oz

Hub

94 x 34 x 74 mm

3.75 x 1.3 x 2.9”

83 g/3 oz

Remote

50 x 120 x 10 mm

1.97 x 4.72 x 0.39”

48 g/1.69 oz

Package

500 x 152 x 310 mm

19.75 x 6 x 12.25”

4.1 kgs/9 lbs

Wall/Table Mount

210 x 120 x 99 mm

8.27 x 4.72 x 3.90”

255 g/8.99 oz

Expansion Mics

83 x 83 x 21 mm

3.3 x 3.3 x 0.83”

230 g/8 oz

GROUP 10m

Extended Cable

Cable/Repeater

10 m x 4 mm/50 x 12 mm

32.8’ x 0.16”/1.97 x 0.47”

278 g/9.8 oz

GROUP 15m

Extended Cable

Cable/Repeater

15 m x 5 mm/50 x 12 mm

49.2’ x 0.20”/1.97 x 0.47”

510 g/18.0 oz

HUB/CABLE

Central mountable hub for connection of all components

Included adhesive solution for under-table mounting

Two cables for connection between hub and camera/speakerphone (Length: 5 m/16’)

One USB cable for connection to PC/Mac (Length: 3 m/9.8’)

AC Power adapter (Length: 3 m/9.8’)

MOUNT

Dual purpose mount for wall placement or for elevating the camera on a table

COMPLIANCE AND TOOLS

USB 2.0 compliant

UVC-compliant video and audio for broad application compatibility

Certified for Skype for Business, Cisco compatible⁴, and enhanced integration with Logitech Collaboration Program (LCP) members⁵

Downloadable diagnostic tool

Field upgradeable firmware tool

Downloadable app plug-ins for advanced feature support

INSIDE THE BOX

Camera, speakerphone, remote control, two 5 m/16.4’ cables for connection between speakerphone and hub and camera and hub, one 3 m/9.8’ meter cable between hub and PC, Velcro for cable management, Velcro for hub to table securing, powered hub, power adapter with regional plugs, mount, quick start guide, warranty card.

WARRANTY

2-year limited hardware

www.logitech.com/GROUP

To order, contact your reseller or call us at 800-308-8666

Logitech Inc. 7700 Gateway Blvd., Newark, CA 94560

¹ With Skype® for Business, and Logitech Collaboration Program (LCP) members, including Vidyio, Zoom and Lifesize Cloud (refer to www.logitech.com/lcp for the latest information).

² With Skype® and Cisco Jabber®.

³ With NFC-enabled mobile devices.

⁴ See www.logitech.com/ciscocompatibility for the latest version.

⁵ Includes Blue Jeans, BroadSoft, Lifesize, Vidyio, and Zoom. See www.logitech.com/lcp for full list and the latest information.

⁶ Learn more about GROUP Extended DIN Cables at: www.logitech.com/accessories.

⁷ With Skype® for Business, Skype®, Cisco Jabber® and LCP participants with completed integrations (refer to www.logitech.com/lcp for the latest information).

© 2022 Logitech. Logitech, the Logitech logo and other Logitech marks are owned by Logitech and may be registered. Windows, Mac and all other trademarks are the properties of their respective owners. Logitech assumes no responsibility for any errors that may appear in this publication. Product, pricing and feature information contained herein is subject to change without notice.